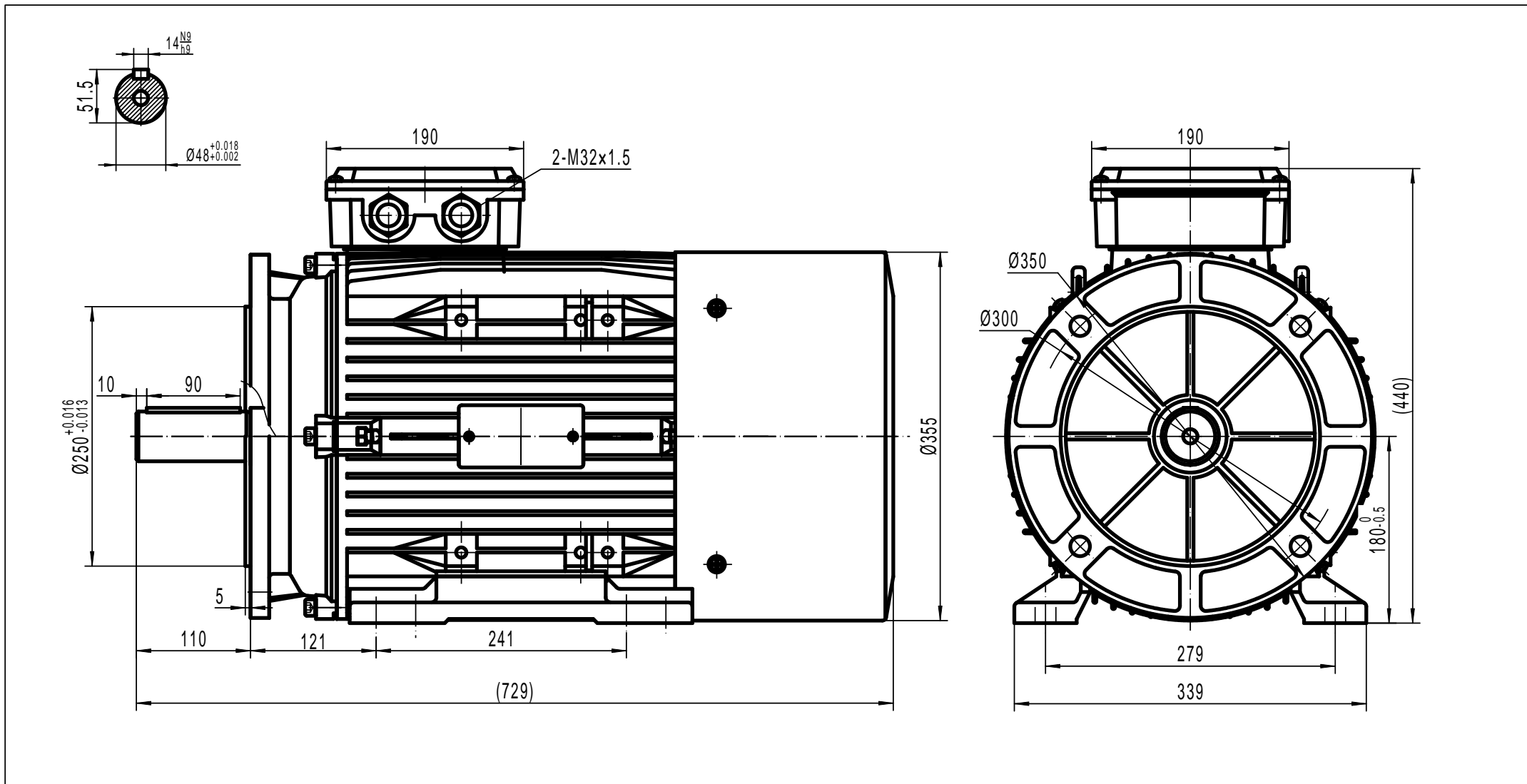


OUTLINE DIMENSIONAL DRAWING



TECHTOP AUSTRALIA PTY LTD	
FRAME	TAI 180M A B35
DATE	DRAWING NO.
2011/10/14	1ST088.052.001-004 A